



Doosan Infracore
Forklifts

Pneumatic Forklift Trucks

G20G / G25G / G30G

D20G / D25G / D30G

4,000lb to 6,000lb Capacity



Manage your profits and performance with Doosan forklifts!

Our new GX Series will increase your productivity and lower operating costs with features like:

- Powerful 2.4 liter Lp engine or 3.3 liter Diesel engine
- Economical shoe brakes
- Efficient dual element air cleaner
- Reliable powershift transmission



The GX series puts a high priority on operational efficiency

The carefully designed, spacious operator compartment, ergonomically designed control levers and various options for ease of operation will help boost productivity levels to enhance your operational efficiency.

- **Spacious Operator Compartment**

Designed for comfort, with optimized pedal positions, the roomy operator compartment has an infinitely adjustable steering column and seat allowing operators to easily find their optimum driving position.



- **Easy-to-Read Instrument Panel**

Engine coolant temperature, transmission oil temperature, fuel level gauge and hour meter keep the driver aware of the machine's operating conditions at all times.

Engine oil pressure, alternator voltage, water separator and pre-heat indicator illuminate to alert the operator to any abnormal condition.



- **Wide Open Foot Steps and Grab Bar**

Wide open foot steps and a conveniently positioned grab bar on overhead guard pillar make entry and exit easy.



- **Deluxe Suspension Seat(Optional)**

The optional deluxe suspension seat enhances operating comfort and reduces operator's fatigue during extended operation.



- **Operator Sensing System**

- ✓ Parking alarm : Alarm warning when operator leaves the seat without applying parking brake
- ✓ Seat belt indicator : Seat belt warning light for 10 seconds reminds operator to fasten seat belt
- ✓ Neutral shift feature : Transmission is automatically shifted into neutral when the operator leaves the seat with the engine running and the direction lever in forward or reverse

- **Rear Grab Bar with Horn (Optional)**

When operator drives in reverse, rear grab bar enables horn activation to alert surrounding personnel.



Designed to handle a variety of applications without compromising Serviceability ease.

Doosan' goal is to make your material handling operation as efficient and reliable as possible. The durability and reliability of our trucks will aid in minimizing truck down time and help reduce total maintenance cost.

- **Simple and Compact Layout Design for Easy Serviceability**

The Doosan customer-centric design with its proven powertrain, and reliable hydraulic system simplifies servicing needs.



- **Dual Element Air Cleaner**

The large capacity, dual element air cleaner is designed to extend service interval. It allows clean and cool air into the engine intake system.



- **G424FE / LPG Engine**

This 2.4 liter engine is certified Tier-3 emission EPA compliant and provides greater torque for high performance. The engine includes automatic valve lash adjusters to help reduce engine maintenance. Five main bearings provide a stable support base to the crankshaft for additional durability and longer life.



- **3.3L Diesel Engine(4TNE98)**

This 3.3 liter diesel engine is designed exclusively for industrial applications. Especially optimized engine design provides efficient fuel consumption, low noise, low emissions, and extended service intervals.



- **Heavy duty transaxle**

Heavy duty transaxle design includes 1-speed, electric shift transmission and uses 4-pinion differential bevel gear set to transfer high torque to the drive wheels.

Transmission gear is made from carbonized high alloy steel for long life.



NEW
EPA Tier-3

NEW
EPA Tier-3

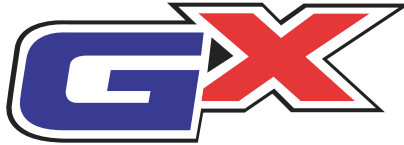
***Proven Quality,
Responsive Service and
A Reliable Partner....***

After sales servicing of Doosan forklifts is available from both the selling dealership and Doosan's own customer service center. And Doosan provides 100% parts inventory to insure any downtime is minimized.

When you own a Doosan forklift, our high quality, responsive customer support team comes with it.

The Doosan network starts with your local dealer and ends with a national team of highly qualified and experienced technical personnel standing ready to support all your material handling needs.





G20G / G25G / G30G
4,000lb 5,000lb 6,000lb
LPG, Pneumatic Tire



D20G / D25G / D30G
4,000lb 5,000lb 6,000lb
Diesel, Pneumatic Tire

■ **Option Availability**

● : Standard ○ : Optional

Options	G20/25/30G	D20/25/30G
Fuel Cap with Key	○	○
Precleaner	○	○
Vertical Exhaust Tube	○	●
Catalytic Muffler	●	○
Modular Operator Cabin	○	○
Swingout LP Tank MTG	○	n/a
Swingdown LP Tank MTG	○	n/a
Lift and Tilt locking Hydraulic Control Valve	○	○
Rear Grab Bar with Horn	○	○
Integral Sideshifter	○	○
Hang on Sideshifter	○	○
UL LPS,DS Rating	○	○



PSC0802A0 (Feb.2008)



Doosan Infracore
Forklifts

Doosan Infracore America Corporation

4350 Renaissance Parkway,
Warrensville Heights, Ohio, 44128 U.S.A.

Tel : 216-595-1212

Fax : 216-595-1214

www.doosanlift.com

AUTHORIZED DEALER

Product and specifications are subject to improvement and change without notice.



Doosan Infracore
Forklifts

TECHNICAL SPECIFICATIONS

Pneumatic Forklift Trucks

G20G / G25G / G30G

D20G / D25G / D30G

4,000lb to 6,000lb Capacity

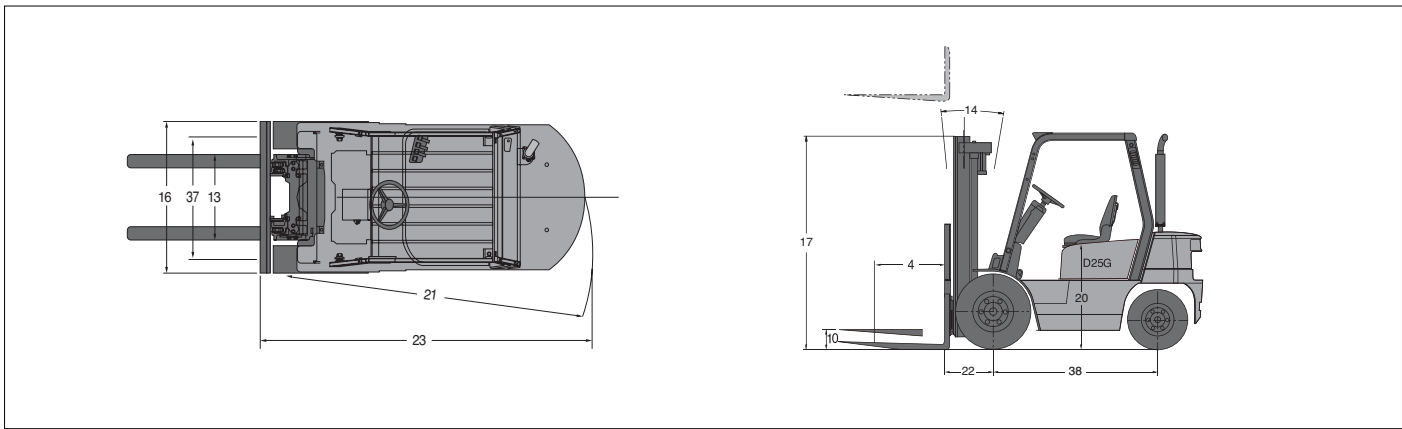


4,000/5,000/6,000 lb Capacities

Engine Powered Forklift Trucks Pneumatic Tire Diesel, LP

MAIN VEHICLE SPECIFICATIONS

	CHARACTERISTICS			DOOSAN	DOOSAN	DOOSAN	DOOSAN	DOOSAN	DOOSAN	
	1	2		D20G	D25G	D30G	G20G	G25G	G30G	
	3	Load Capacity	at rated load center	lb(kg)	4,000 (2,000)	5,000 (2,500)	6,000 (3,000)	4,000 (2,000)	5,000 (2,500)	6,000 (3,000)
	4	Load Center		in(mm)	24 (500)	24 (500)	24 (500)	24 (500)	24 (500)	24 (500)
	5	Power type	Elec, Diesel, LPG, Gasoline		Diesel	Diesel	Diesel	Lp	Lp	Lp
	6	Operator type			Driver-seated	Driver-seated	Driver-seated	Driver Seated	Driver Seated	Driver Seated
	7	Tire type	P:Pnu, E:Solid Soft, C: Cush		P, E	P, E	P, E	P, E	P, E	P, E
	8	Wheels (x=Driven)	Front / Rear		x 2 / 2	x 2 / 2	x 2 / 2	X 2 / 2	X 2 / 2	X 2 / 2
DIMENSIONS	9	Max. Fork Height	with STD 2-stage mast	in(mm)	118.1 (3,000)	118.1 (3,000)	118.1 (3,000)	118.1(3,000)	118.1(3,000)	118.1(3,000)
	10	Free Lift		in(mm)	5.9 (150)	5.9 (150)	5.9 (150)	5.9 (150)	5.9 (150)	5.9 (150)
	12	Fork Carriage	ISO Class		II	II	III	II	II	III
	13	Forks	Length x Width x Thickness	in (mm)	41.3 x 3.9 x 1.8 (1,050 x 100 x 45)	41.3 x 3.9 x 1.8 (1,050 x 100 x 45)	41.3 x 4.8 x 1.8 (1,050 x 122 x 45)	41.3 x 3.9 x 1.8 (1,050 x 100 x 45)	41.3 x 3.9 x 1.8 (1,050 x 100 x 45)	41.3 x 4.8 x 1.8 (1,050 x 122 x 45)
			Fork Spacing(Min x Max)	in (mm)	9.8 x 39.4 (250 x 1,000)	9.8 x 39.4 (250 x 1,000)	10.7 x 41.0 (272 x 1,042)	9.8 x 39.4 (250 x 1,000)	9.8 x 39.4 (250 x 1,000)	10.7 x 41.0 (272 x 1,042)
	14	Tilt of Mast	Forward / Backward	deg	6 / 12	6 / 12	6 / 12	6 / 12	6 / 12	6 / 12
	17	Overall Dimensions	Length to Fork Face	in(mm)	99.2 (2,520)	101.8 (2,585)	104.8 (2,662)	99.2 (2,520)	101.8 (2,585)	104.8 (2,662)
			Overall Width	in(mm)	45.9 (1,165)	45.9 (1,165)	48.3 (1,228)	45.9 (1,165)	45.9 (1,165)	48.3 (1,228)
			Mast Lowered Height	in(mm)	80.2 (2,038)	80.2 (2,038)	80.8 (2,053)	80.2 (2,038)	80.2 (2,038)	80.8 (2,053)
			Mast Extended Height	in(mm)	168.1 (4,271)	168.1 (4,271)	168.5 (4,280)	168.1 (4,271)	168.1 (4,271)	168.5 (4,280)
			Overhead Guard Height	in(mm)	84.4 (2,143)	84.4 (2,143)	85.0 (2,160)	84.4 (2,143)	84.4 (2,143)	85.0 (2,160)
			Seat Height	in(mm)	42.2 (1,071)	42.2 (1,071)	42.8 (1,088)	42.2 (1,071)	42.2 (1,071)	42.8 (1,088)
21	Turning Radius	Minimum outside	in(mm)	88.6 (2,250)	90.6 (2,300)	93.5 (2,375)	88.6 (2,250)	90.6 (2,300)	93.5 (2,375)	
22	Load Moment Center		in(mm)	18.4 (467)	18.4 (467)	19.0 (482)	18.4 (467)	18.4 (467)	19.0 (482)	
23	Aisle 90 degree stacking(add load length & clearance)		in(mm)	107 (2,717)	108.9 (2,767)	112.5 (2,857)	107 (2,717)	108.9 (2,767)	112.5 (2,857)	
PERFORMANCE	24	Travel Speed	Loaded / Unloaded	mph (km/h)	12.1 / 13.1 (19.5 / 21)	12.1 / 13.1 (19.5 / 21)	12.4 / 13.4 (20 / 21.5)	11.8 / 12.4 (19 / 20)	11.8 / 12.4 (19 / 20)	12.1 / 12.7 (19.5 / 20.5)
	25	Lifting Speed	Loaded / Unloaded	fpm (mm/s)	102.3 / 112.2 (520 / 570)	100.4 / 112.2 (510 / 570)	96.4 / 112.2 (490 / 570)	98.3 / 108.2 (500 / 550)	98.3 / 108.2 (500 / 550)	98.3 / 108.2 (500 / 550)
	26	Lowering Speed	Loaded / Unloaded	fpm (mm/s)	100.4 / 90.6 (510 / 460)	100.4 / 90.6 (510 / 460)	100.4 / 90.6 (510 / 460)	110.2 / 114.1 (560 / 580)	110.2 / 114.1 (560 / 580)	108.2 / 114.1 (550 / 580)
	28	Max. drawbar pull	Loaded at 1.0 mph (1.6km / h)	lb(kg)	4,057(1,840)	4,012(1,820)	3,858 (1,750)	3,638 (1,650)	3,583 (1,625)	3,230 (1,465)
	30	Max. gradeability	Loaded at 1.0 mph (1.7km / h)	%	35	29	24	31	26	20
WEIGHT	32	Total Service Weight, Unloaded		lb(kg)	7,870 (3,570)	8,686 (3,940)	9,830 (4,460)	7,672 (3,480)	8,488 (3,850)	9,524 (4,320)
	33	Axle Load	Loaded, Front / Rear	lb (kg)	10,803 / 1,477 (4,900 / 670)	12,456 / 1,742 (5,650 / 790)	14,462 / 1,984 (6,560 / 900)	10,274 / 1,808 (4,660 / 820)	11,905 / 2,094 (5,400 / 950)	13,690 / 2,447 (6,210 / 1,110)
			Unloaded, Front / Rear	lb (kg)	3,726 / 4,145 (1,690 / 1,880)	3,637 / 5,049 (1,650 / 2,290)	3,858 / 5,975 (1,750 / 2,710)	2,998 / 4,674 (1,360 / 2,120)	3,307 / 5,180 (1,500 / 2,350)	3,704 / 5,820 (1,680 / 2,640)
CHASSIS	35		Number of wheels(F / R)		2 / 2	2 / 2	2 / 2	2 / 2	2 / 2	2 / 2
	36	Tires	Size, Front		7.00 x 12-12PR	7.00 x 12-12PR	28 x 9 x 15-12PR	7.00 x 12 - 12PR	7.00 x 12 - 12PR	28 x 9 x 15 - 12PR
			Size, Rear		6.00 x 9-10PR	6.00 x 9-10PR	6.50 x 10-10PR	6.00 x 9 - 10PR	6.00 x 9 - 10PR	6.50 x 10 - 10PR
	38	Wheel Base	Distance	in(mm)	64.7 (1,650)	64.7 (1,650)	64.7 (1,650)	64.7 (1,650)	64.7 (1,650)	64.7 (1,650)
	39	Tread Width	Front / Rear	in (mm)	38.2 / 38.6 (970/980)	38.2 / 38.6 (970/980)	39.4 / 38.6 (1,000 / 980)	38.2 (970)	38.2 (970)	39.4 (1,000)
	40	Ground Clearance	Loaded at the lowest point	in(mm)	3.9 (100)	3.9 (100)	4.6 (118)	3.9 (100)	3.9 (100)	4.6 (118)
			Loaded at center of wheelbase	in(mm)	4.5 (113)	4.5 (113)	5.2 (132)	4.5 (113)	4.5 (113)	5.2 (132)
	42	Brakes	Service		Hyd	Hyd	Hyd	Hyd	Hyd	Hyd
Parking				Mech	Mech	Mech	Mech	Mech	Mech	
45	Battery	Voltage / Ampere	V / AH	12 / 90	12 / 90	12 / 90	12 - 65	12 - 65	12 - 65	
POWER TRAIN	49	Engine	Model		4TNE98	4TNE98	4TNE98	G424FE	G424FE	G424FE
			Rated Power(DIN)	HP/rpm	59 / 2,300	59 / 2,300	59 / 2,300	62 / 2,550	62 / 2,550	62 / 2,550
	50	Maximum Torque	kW/rpm	43.7 / 2,300	43.7 / 2,300	43.7 / 2,300	46.2 / 2,550	46.2 / 2,550	46.2 / 2,550	
			lb · ft/rpm	134 / 1,600	134 / 1,600	134 / 1,600	134 / 2,200	134 / 2,200	134 / 2,200	
	51	Cylinders / Displacements	N · m/rpm	181 / 1,600	181 / 1,600	181 / 1,600	181 / 2,200	181 / 2,200	181 / 2,200	
			cc	4 / 3,319	4 / 3,319	4 / 3,319	4 / 2,405	4 / 2,405	4 / 2,405	
55	Transmission	Type		powershift	powershift	powershift	powershift	powershift	powershift	
		Number of Speed (Fwd / Rev)		1 / 1	1 / 1	1 / 1	1 / 1	1 / 1	1 / 1	
57	Hydraulic Pressure	System	psi(bar)	2,625 (181)	2,625 (181)	3,048 (210)	2,625 (181)	2,625 (181)	3,048 (210)	
		Attachment	psi(bar)	2,262 (156)	2,262 (156)	2,262 (156)	2,320 (160)	2,320 (160)	2,320 (160)	



MAST SPECIFICATIONS and RATED CAPACITIES

D/G20G

Mast type	Maximum Fork Height		Maximum Lowered Height		Fully Extended Height		Free Lift		Rated Load Capacities															
									D/G20G															
									With Load Backrest				With Load Backrest				Tilt Angle				Load Capacities			
									Single Pneu.		Double Pneu		Single Pneu.		Double Pneu		FWD	BWD	FWD	BWD	LC 500mm	LC 24in	LC 500mm	LC 24in
								deg		deg		deg		deg		kg	lb	kg	lb					
STD	3000	118	2030	80	4230	167	150	6	6	6	12	6	12	2000	4000	2000	4000							
	3300	130	2180	86	4530	178	150	6	6	6	12	6	12	2000	4000	2000	4000							
	3500	138	2280	90	4730	186	150	6	6	6	12	6	12	2000	4000	2000	4000							
	4000	157	2580	102	5330	210	150	6	6	6	12	6	12	2000	4000	2000	4000							
	4500	177	2830	111	5830	230	150	6	6	6	6	6	12	2000	4000	2000	4000							
FF	5000	197	3080	121	6330	249	150	6	6	6	6	6	12	1475	3250	1950	3950							
	3210	126	2130	84	4460	176	925	36	6	12	6	12	2000	4000	2000	4000								
	4270	168	1990	78	5540	218	785	31	6	6	6	12	1975	3950	1950	3950								
	4710	185	2130	84	5960	235	925	36	6	6	6	12	1800	3850	1875	3800								
	5540	218	2480	98	6785	267	1275	50	6	6	6	12	1050	2350	1750	3550								
5990	236	2630	104	7235	285	1425	56	6	6	6	6	775	1750	1675	3400									

D/G25G

Mast type	Maximum Fork Height		Maximum Lowered Height		Fully Extended Height		Free Lift		Rated Load Capacities															
									D/G25G															
									With Load Backrest				With Load Backrest				Tilt Angle				Load Capacities			
									Single Pneu.		Double Pneu		Single Pneu.		Double Pneu		FWD	BWD	FWD	BWD	LC 500mm	LC 24in	LC 500mm	LC 24in
								deg		deg		deg		deg		kg	lb	kg	lb					
STD	3000	118	2030	80	4230	167	150	6	6	6	12	6	12	2500	5000	2500	5000							
	3300	130	2180	86	4530	178	150	6	6	6	12	6	12	2500	5000	2500	5000							
	3500	138	2280	90	4730	186	150	6	6	6	12	6	12	2500	5000	2500	5000							
	4000	157	2580	102	5330	210	150	6	6	6	6	6	1900	4200	2500	5000								
	4500	177	2830	111	5830	230	150	6	6	6	6	6	1350	3000	2450	4950								
FF	5000	197	3080	121	6330	249	150	6	6	6	6	6	6	1350	3000	2450	4950							
	3210	126	2130	84	4460	176	925	36	6	12	6	12	2500	5000	2500	5000								
	4270	168	1990	78	5540	218	785	31	6	6	6	6	2250	4950	2475	5000								
	4710	185	2130	84	5960	235	925	36	6	6	6	6	1700	3750	2375	4850								
	5540	218	2480	98	6785	267	1275	50	6	4	6	4	1125	2500	2225	4550								
5990	236	2630	104	7235	285	1425	56	6	4	6	4	850	1850	2150	4400									

D/G30G

Mast type	Maximum Fork Height		Maximum Lowered Height		Fully Extended Height		Free Lift		Rated Load Capacities															
									D/G30G															
									With Load Backrest				With Load Backrest				Tilt Angle				Load Capacities			
									Single Pneu.		Double Pneu		Single Pneu.		Double Pneu		FWD	BWD	FWD	BWD	LC 500mm	LC 24in	LC 500mm	LC 24in
								deg		deg		deg		deg		kg	lb	kg	lb					
STD	3000	118	2045	81	4230	167	158	6	6	6	12	6	12	3000	6000	3000	6000							
	3300	130	2195	86	4530	178	158	6	6	6	12	6	12	3000	6000	3000	6000							
	3500	138	2295	90	4730	186	158	6	6	6	12	6	12	3000	6000	3000	6000							
	4000	157	2595	102	5330	210	158	6	6	6	6	6	3000	6000	3000	6000								
	4500	177	2845	112	5830	230	158	6	6	4	6	4	2600	2750	2975	6000								
FF	5000	197	3095	122	6330	249	158	6	6	4	6	4	1825	4050	2875	5800								
	3210	126	2145	84	4460	176	940	37	6	12	6	12	3000	6000	3000	6000								
	4270	168	2005	79	5540	218	800	31	6	6	6	6	2850	5950	2925	5950								
	4710	185	2145	84	5960	235	940	37	6	4	6	4	2425	5350	2825	5750								
	5540	218	2495	98	6785	267	1290	51	6	4	6	4	1375	3050	2650	5400								
5990	236	2645	104	7235	285	1440	57	6	4	6	4	975	2200	2550	5250									



GX



G20G / G25G / G30G
4,000lb 5,000lb 6,000lb
LPG, Pneumatic Tire



D20G / D25G / D30G
4,000lb 5,000lb 6,000lb
Diesel, Pneumatic Tire



PSC0802A0 (Feb.2008)



Doosan Infracore
Forklifts

Doosan Infracore America Corporation
4350 Renaissance Parkway,
Warrensville Heights, Ohio, 44128 U.S.A.
Tel : 216-595-1212
Fax : 216-595-1214

AUTHORIZED DEALER

Product and specifications are subject to improvement and change without notice.